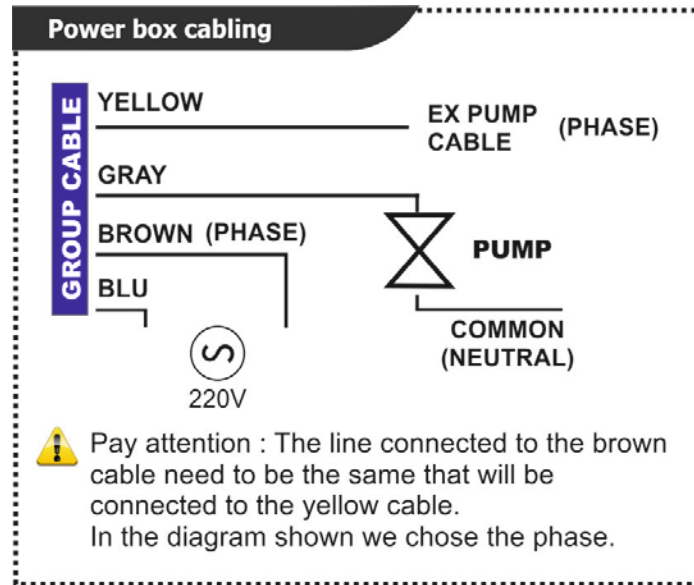




Mounting instruction using Phase Line



Mounting instruction using Neutral Line

